



USER'S MANUAL

Chime System

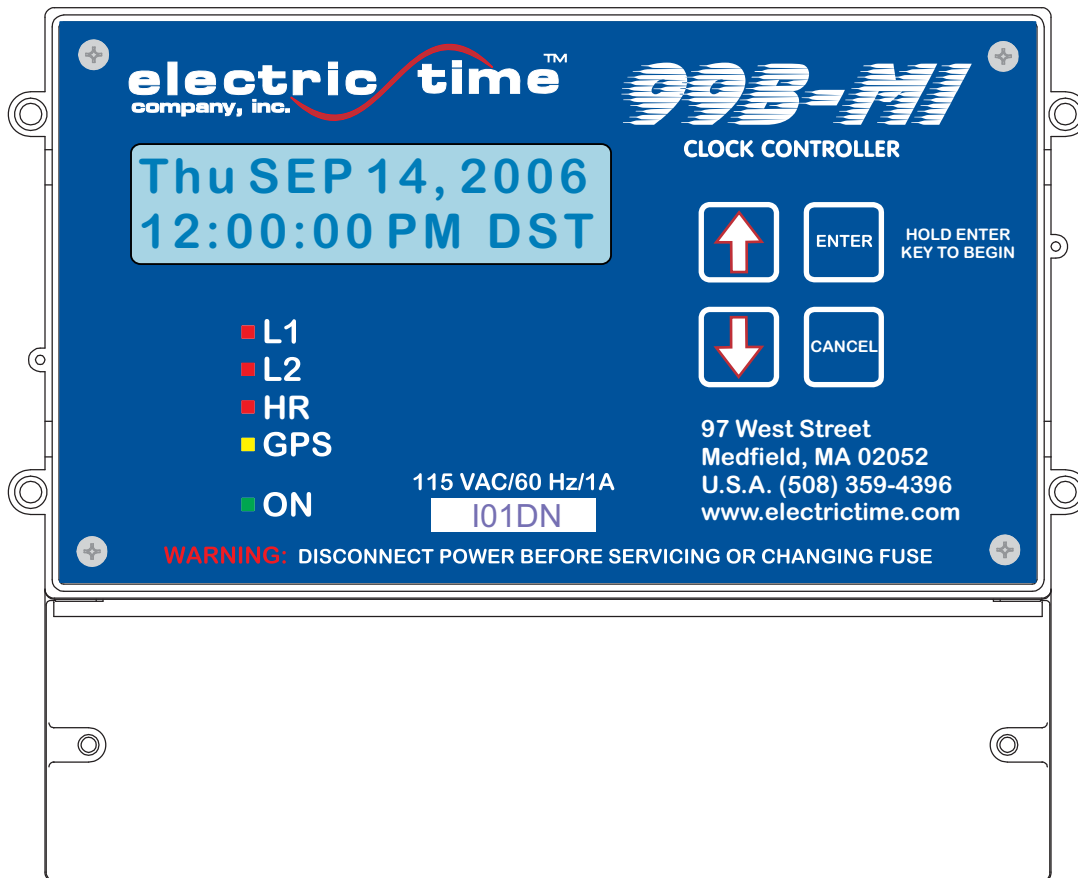


TABLE OF CONTENTS

OPERATION..... 3
CHIMES..... 4
HOUR STRIKE..... 5
EXTENDED CHIMES (available at additional cost)..... 6
ADDITIONAL FUNCTIONS..... 7
CHIMES LIST..... 8
EXTENDED CHIMES SONG LIST..... 12
EXTENDED CHIMES PLAY LISTS..... 13
FLOW CHARTS..... 17
SERVICE..... 17

OPERATION

Before making changes to the 99B-MI clock controller review this entire user manual and familiarize yourself with Manual M274.

Accessing Menus

- Hold ENTER key for (5) seconds

Making Menu Selections

- Use UP / DOWN arrows to scroll through menus
- Press ENTER key once to activate menu choices
- Use UP / DOWN arrows to scroll through menu choices
- Press ENTER key to select menu choice
- Hold CANCEL key for (5) seconds to exit menus and return to “Running” Screen

CHIMES

When used in conjunction with an Electric Time E1002 style Chime System, the “Chimes” function allows the 99BMI to control the playing of various musical chimes at periodic intervals throughout the day. The type of chime that is played, and when it is played can be configured through the various menus of the “Chimes” function. An “Hour Strike” function is also included to provide an hour count at the top of each hour if desired.

“Chimes:”

- **Enabled:** Chimes will play as programmed
- **Disabled:** Chimes will NOT play

**Chimes:
Enabled**

“Chime Start Time”

- Allows user to set the time of day when the chime system will turn on

**Chime Start Time
08:00 AM**

“Chime Stop Time:”

- Allows user to set the time of day when the chime system will shut off

**Chime Stop Time:
11:00 PM**

****Note:** To keep chime system active for all 24hrs, set “Start Time” and “Stop Time” to 12:00 AM

“Chime Interval:”

- **1/4 Hour:** Chimes will play every 15 minutes
- **1/2 Hour:** Chimes will play every 30 minutes
- **Hourly:** Chimes will play on the hour only
- **OFF:** Chimes will not play

**Chime Interval:
1/4 Hour**

“Chime File:”

- Allows user to select what type of chimes will play
- See table on page 7 for listing of chime types

**Chime File: #30
Westminster**

HOUR STRIKE

The HOUR STRIKE output is a configurable “hour count” that can be used in conjunction with an Electric Time E1002 Chime System to play a standard “hour count” bell strike at the top of each hour. Or, the HOUR STRIKE can be configured to trigger an external device such as a bell hammer.

“Hour Strike:”

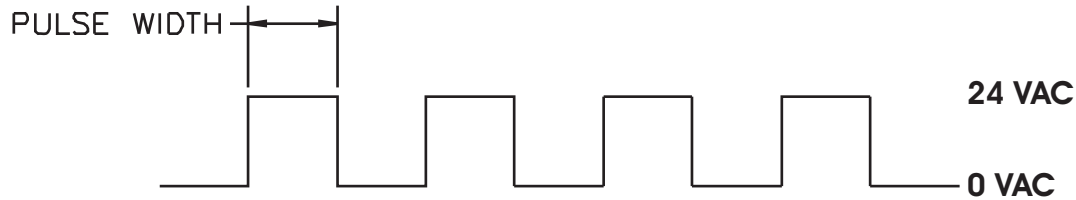
- **Strike A:** Standard Bell Strike
- **Strike B:** NA (under development)
- **Strike C:** NA (under development)
- **Strike D:** NA (under development)
- **HR Output:** Provides configurable 24VAC pulses
 - Number of pulses = Time (i.e. 12 pulses at 12:00, etc.)
 - Configurable pulse width and pulse delay (see below)
- **OFF:** No Hour Strike

**Hour Strike:
Strike A**

“HR Pulse Width:”

- Set width of pulse (0.1 sec - 9.9 sec)

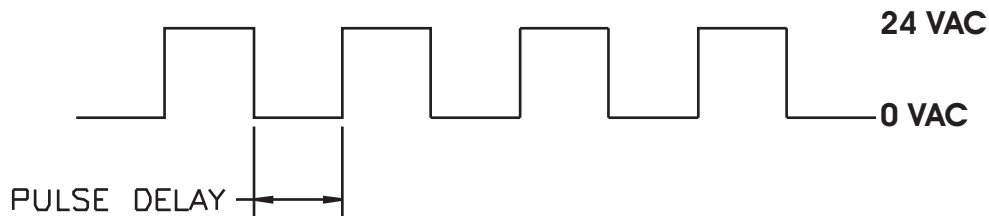
**HR Pulse Width:
0.1 Seconds**



“HR Delay:”

- Set delay between pulses (0.1 sec - 9.9 sec)

**HR Delay:
2.0 Seconds**



EXTENDED CHIMES (available at additional cost)

“Extended Chimes:”

- **Hourly:** Plays extended chimes hourly
- **Daily:** Plays extended chimes daily (user can specify hour)
- **Off:** Extended chimes will not play

**Extended Chimes:
Daily**

“Select Extended Chime:”

- **By List:** Allows user to choose extended chimes based on song categories
- **By Number:** Allows user to choose extended chimes based on song numbers

**Select Extended
Chime: By List**

“Extnd Chime List”

- Songs are separated into several themes. See tables on pages 8 to 11 for a complete list of songs

Extnd Chime List
1 Folk

“Play File #’s”

- See tables on pages 8 to 11 for a complete list of songs

Play File #’s:
From: 384 To: 400

“Seasonal Chime - Christmas”

- **Hourly:** Christmas songs will play hourly during season (December 15 to January 15)
- **Daily:** Christmas songs will play daily during season (user can specify hour)
- **Off:** Christmas Songs will not play during season

Seasonal Chime -
Christmas: Daily

“Seasonal Chime - Patriotic”

- **Hourly:** Patriotic songs will play hourly during season (June 14 to July 15)
- **Daily:** Patriotic songs will play daily during season (user can specify hour)
- **Off:** Patriotic song will not play during season

Seasonal Chime -
Patriotic: Daily

ADDITIONAL FUNCTIONS

“Chime Volume”

- **Level:** Allows user to set chime volume level (2-9)

Chime Volume
Level: 9

“Quiet Time:”

The Quiet Time function allows the user to set a period of time during which Chimes will operate at a reduced volume level

- **Enabled:** Quiet Time will function as programmed
- **Disabled:** Quiet Time will NOT be used

**Quiet Time:
Enabled**

“Quiet Volume”

- Allows user to set volume level (2-9) for Quiet Time

**Quiet Volume
Level: 5**

“Quiet Start Time”

- Allows user to set the time of day when Quiet Time operation will begin

**Quiet Start Time
8:00 PM**

“Quiet Stop Time”

- Allows user to set the time of day when Quiet Time operation will end

**Quiet Stop Time:
11:00 PM**

“Test Chimes?”

- Plays chimes and (3) Hour Strikes
- Note: Test Chimes plays chimes and hour strikes as they have been setup by the user

**Test Chimes?
ENTER to start**

CHIMES LIST

General Notes:

- Chimes will not activate when clock is resetting (correcting itself)

Chime Files:

- Table shows Chime types available when using Electric Time E1002 Chime System

00	Beverly
01	Cairo
02	Canterbury
03	Copenhagen
04	Denstone
05	Dorking
06	Eaton Socon
07	Fort Augustus
08	Gonville
09	Guilford
10	Hampstead
11	Keighley
12	Kroonstad
13	Lostwithiel
14	Lourdes
15	Magdalen
16	Nafferton
17	New College

18	Norwich
19	Notre Dame
20	Palmers Green
21	Parsifal
22	Preston
23	R.C. Church
24	Silchester
25	St. Michaels
26	St. Gregory
27	Tennyson
28	Ting-Tang
29	Trinity
30	Westminster
31	Whittington U.K.
32	Whittington USA
33	Winchester
34	Special 1
35	Special 2

EXTENDED CHIMES SONG LIST

Extended Chime Files:

- Tables show Extended Chime songs and their corresponding numbers that are available when using Electric Time E1002-EX Chime System

Folk Songs

193	Londonderry Air (Danny Boy)
194	On Top of Old Smoky
195	Shenandoah
196	Amazing Grace
197	Greensleeves
198	Down by the Riverside
199	All Through the Night (Welsh)

Classical Songs

206	Allegro (Mendelssohn)
207	Allegro Cantabile from Concerto in D for the French Horn (Mozart)
208	Allegro from Brandenburg Concerto No. 3 (Bach)
209	Allegro Ma Non Troppo from Violin Concerto in D (Beethoven)
210	Allegro from Water Music Suite (Handel)
211	Aria from Concerto in D minor for viola (Vivaldi)
212	Finale from the 1st Symphony (Brahms)
213	London Trio (Haydn)
214	Minuet
215	Minuet in G
216	(The) Moldau (Smetana)
217	The Winter Journey (Schubert)

EXTENDED CHIMES SONG LIST (continued)

Patriotic Songs

- 223 America (My Country 'Tis of Thee)
- 224 American Patrol
- 225 Anchors Aweigh
- 226 Army Air Corps Song
- 227 Battle Cry of Freedom
- 228 Bonnie Blue Flag
- 229 Caisson Song
- 230 Columbia, The Gem of the Ocean
- 231 God Bless Our Native Land
- 232 God Save America
- 233 Liberty Bell March
- 234 Marine's Hymn
- 235 Onward Christian Soldiers
- 236 Stars and Stripes Forever
- 237 The Star Spangled Banner
- 238 Yankee Doodle

Christmas Songs

- 249 Angles we Have Heard on High
- 250 Away in a Manger
- 251 Deck the Halls
- 252 The First Noel
- 253 God Rest Ye Merry Gentlemen
- 254 Here We Come A-Caroling
- 255 The Holly and the Ivy
- 256 It Came Upon a Midnight Clear
- 257 Jingle Bells
- 258 Jolly Old St. Nicholas
- 259 O Christmas Tree
- 260 O Come, All Ye Faithful
- 261 Pat-a-Pan
- 262 Silent Night

EXTENDED CHIMES SONG LIST (continued)

Christmas Songs (continued)

- 263 We Three Kings of Orient Are
- 264 Up On a Housetop
- 265 We Wish You a Merry Christmas
- 266 What Child is This?

Popular Songs

- 277 A-Hunting We Will Go
- 278 A-Tisket A-Tasket
- 279 Ach, Du Lieber Agustin
- 280 Aloha Oye
- 281 Alouette
- 282 Animal Fair
- 283 Baa! Baa! Black Sheep
- 284 The Banana Boat Song
- 285 Believe Me If All Those Endearing Young Charms
- 286 Big Rock Candy Mountain
- 287 Billy Bailey, Won't You Please Come Home
- 288 Billy Boy
- 289 Bridal Chorus
- 290 The Blue Danube Waltz
- 291 Camptown Races
- 292 Cara Mia
- 293 Catch a Falling Star
- 294 Comes Once in a Lifetime
- 295 Dixie
- 296 Don't Sit Under the Apple Tree
- 297 Dream a Little Dream of Me
- 298 Everything's Coming up Roses
- 299 Five Minutes More
- 300 Graduation Day
- 301 Holiday For Strings
- 302 I'll Walk Alone

EXTENDED CHIMES SONG LIST (continued)

Popular Songs (continued)

- 303 I Don't Want to Walk Without You Baby
- 304 It's a Long, Long Way to Tripperary
- 305 It's Not for Me to Say
- 306 I've Heard That Song Before
- 307 Let it Snow! Let it Snow! Let it Snow!
- 308 Let me Entertain You
- 309 Little Brown Jug
- 310 Looby Loo
- 311 Mairzy Doats
- 312 Margie
- 313 Melody of Love
- 314 My Melody of Love
- 315 The Old Lamplighter
- 316 On a Sunday by the Sea
- 317 On the Good Ship Lollipop
- 318 People
- 319 Small World
- 320 The Coins in a Fountain
- 321 We'll Be Together Again
- 322 We're All Alone
- 323 When the Saints Go Marching In
- 324 When Your Hair Has Turned to Silver
- 325 Who's Sorry Now?

Other

- 358-511 User Defined Files

EXTENDED CHIMES PLAY LISTS

Extended Chime Play Lists:

- In addition to playing individual songs, the Electric Time E1002-EX Chime System also contains play lists that will play entire categories of songs. Play lists can either be standard, which play songs as they appear in the previous tables; or random, which play songs randomly. These tables show the play lists and their corresponding numbers that are available.

Standard Play Lists

337	Standard Popular Songs
338	Standard Folk Songs
339	Standard Classical Songs
340	Standard Patriotic Songs
341	Standard Christmas Songs
342-346	User Defined Standard Play Lists

Random Play Lists

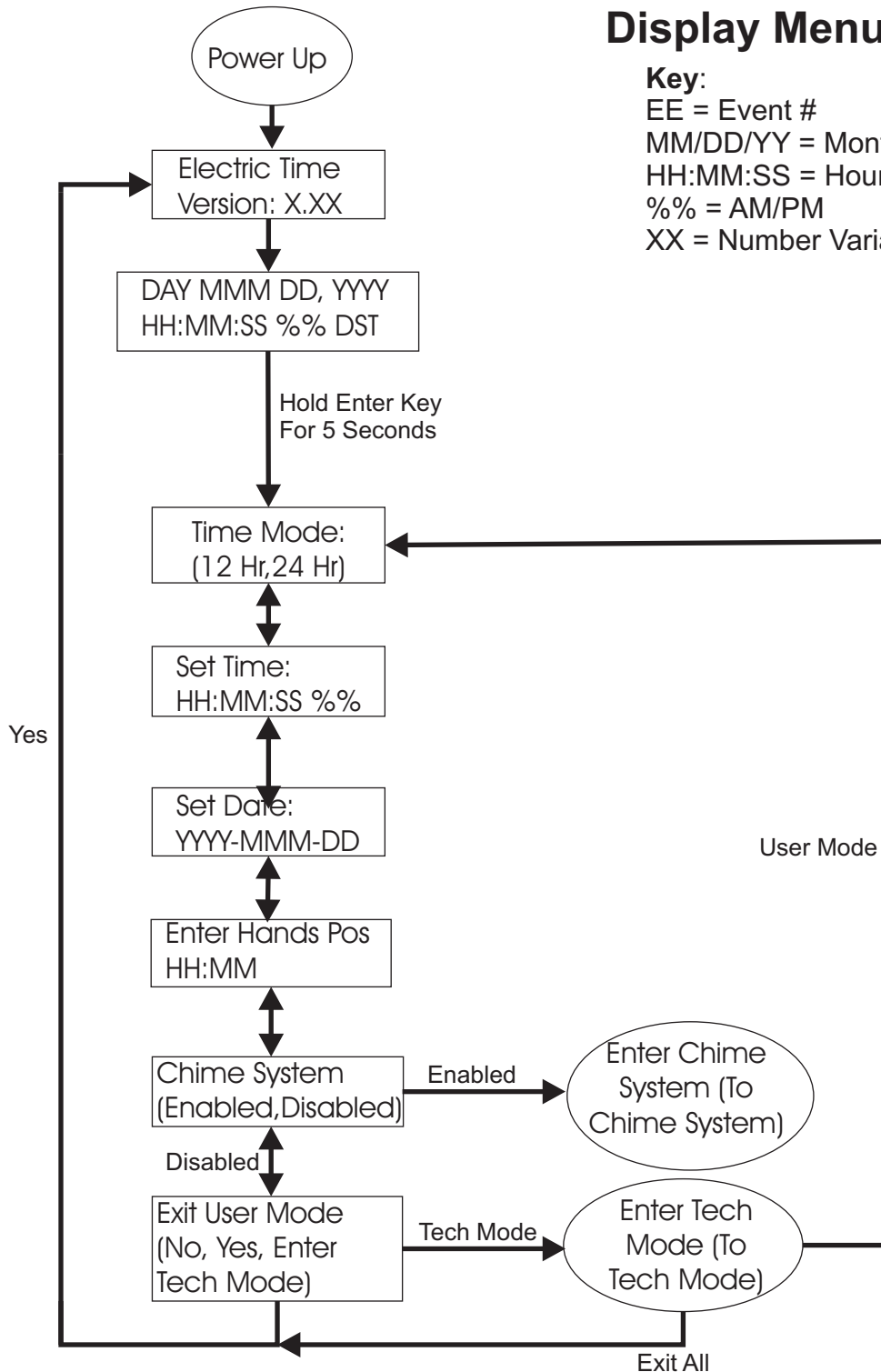
348	Random Popular Songs
349	Random Folk Songs
350	Random Classical Songs
351	Random Patriotic Songs
352	Random Christmas Songs
353-357	User Defined Random Play Lists

FLOW CHARTS

Display Menu Flow Chart

Key:

- EE = Event #
- MM/DD/YY = Month/Day/Year
- HH:MM:SS = Hour:Minute:Second
- %% = AM/PM
- XX = Number Variable

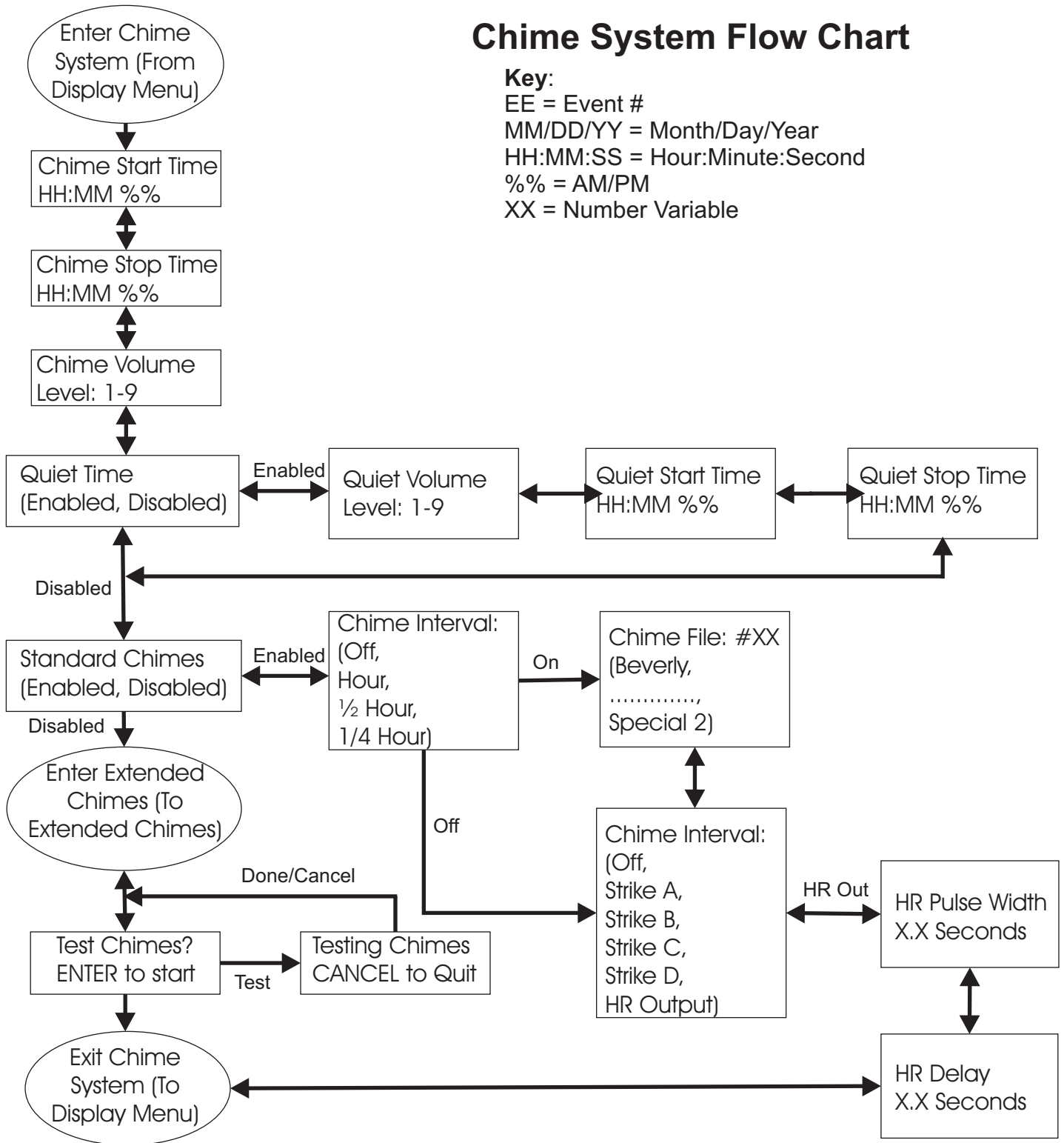


FLOW CHARTS (continued)

Chime System Flow Chart

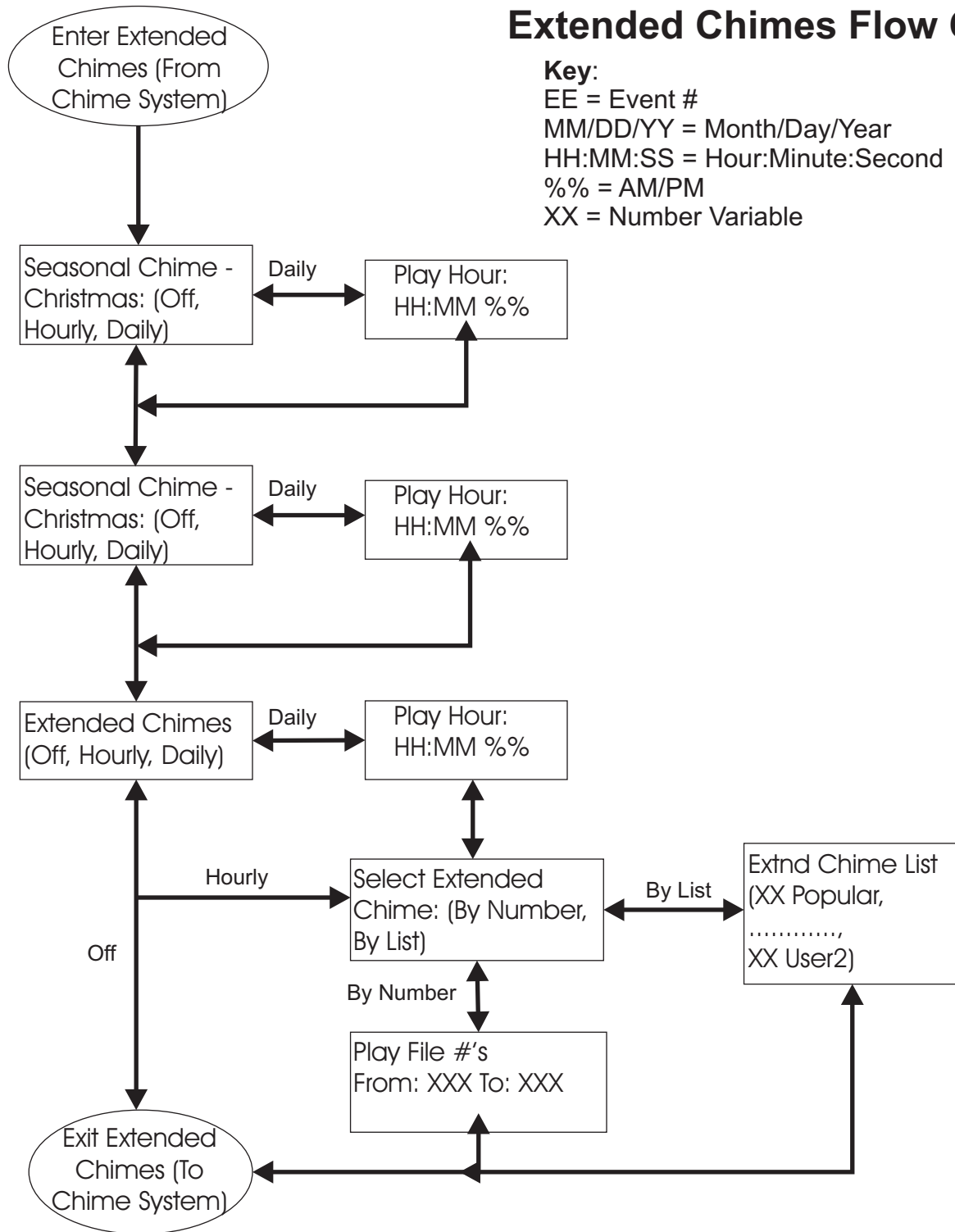
Key:

- EE = Event #
- MM/DD/YY = Month/Day/Year
- HH:MM:SS = Hour:Minute:Second
- %% = AM/PM
- XX = Number Variable



FLOW CHARTS (continued)

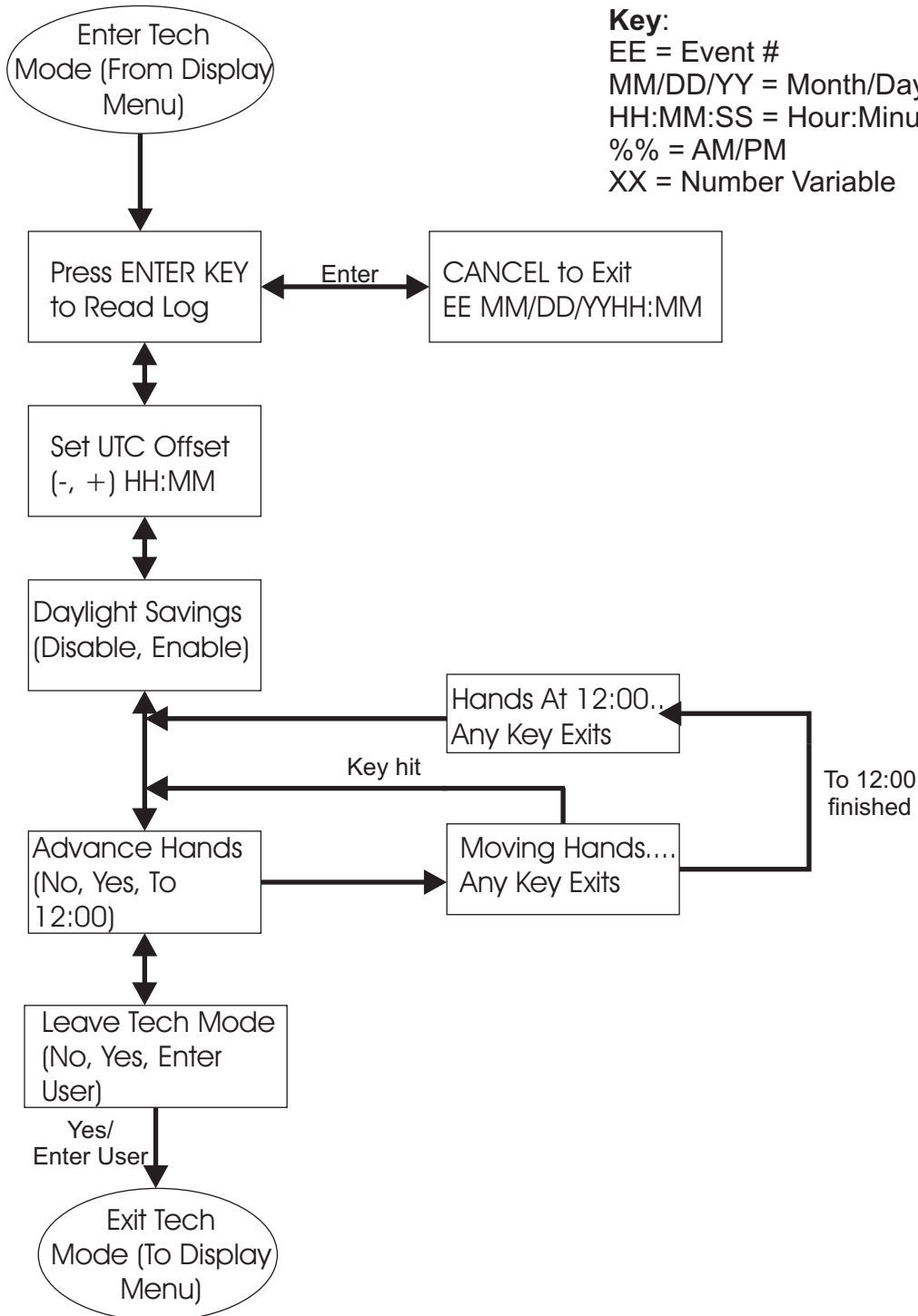
Extended Chimes Flow Chart



FLOW CHARTS (continued)

Tech Mode Flow Chart

Key:
 EE = Event #
 MM/DD/YY = Month/Day/Year
 HH:MM:SS = Hour:Minute:Second
 %% = AM/PM
 XX = Number Variable



SERVICE

For assistance in troubleshooting problems with your 99B-MI Clock Controller, or to request service, contact the Electric Time Company Service Department at the address shown below:

Electric Time Company, inc.
Service Department
97 West Street
Medfield, MA 02052 USA

Ph: (508) 359-4396
Fax: (508) 359-4482
Email: service@electrictime.com

REVISION HISTORY

03-21-03	First Release
07-25-05	Revised
08-07-06	Revised



electric timeTM
company, inc.

Medfield, MA 02052 USA
Ph: (508) 359-4396 Fax: (508) 359-4482
www.electrictime.com