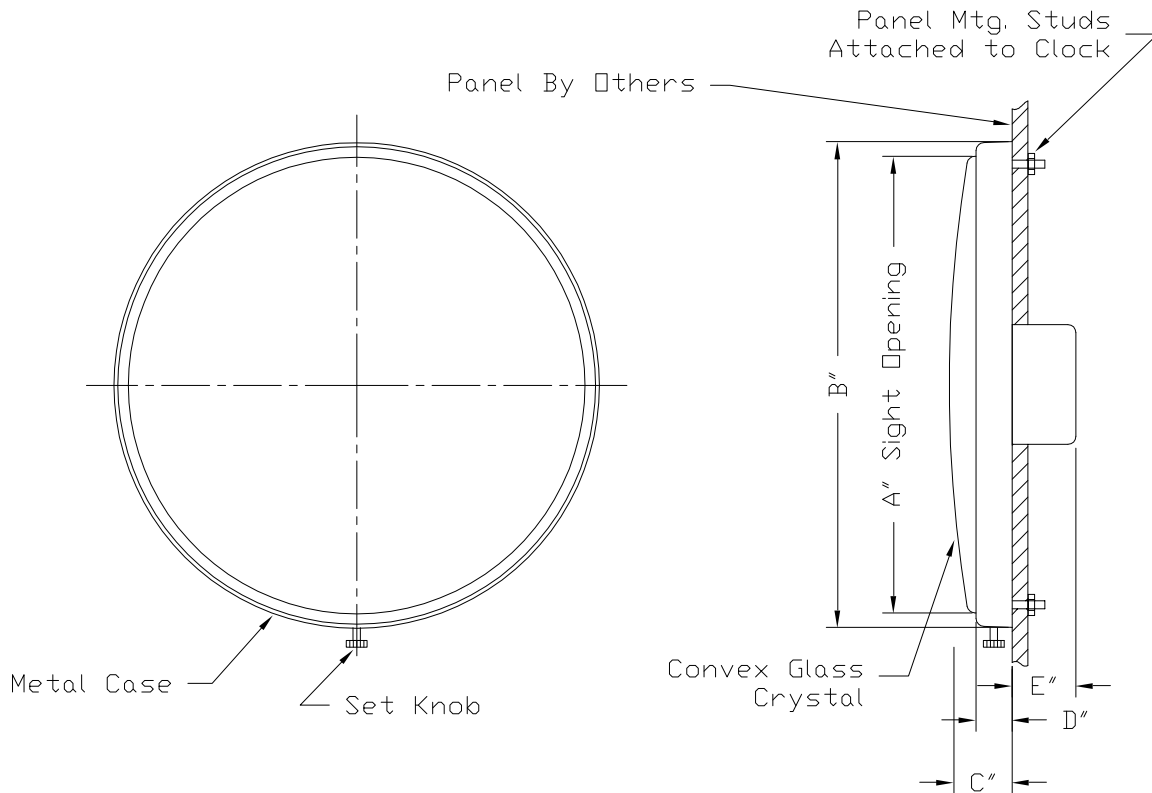


PANEL BOARD CLOCKS
ROUND METAL CASE (INDOOR)



STYLE	SIZE	A"	B"	C"	D"	E"		SHIP. WGHT.
						SINGLE MTRD.	DUAL MTRD.	
P5206	6"	5-1/4	5-31/32	1-5/8	1-1/8	1-1/2	3-1/4	4
P5209	9"	8-5/8	9-11/32	1-11/16	1-1/8	1-1/2	3-1/4	6
P52912	12"	11-1/2	12-7/32	1-11/16	1-1/8	1-1/2	3-1/4	8-1/2
P52915	15"	14-5/16	15-7/32	1-13/16	1-1/4	1-1/2	3-1/4	10

Dial, Hands, & Finish as Selected

Panel cutout and drilling per DWG. A2036

Clock supplied with 7" lg. wires on movement

For single motored clock provide 2 wire circuit, code colored black and white

For dual motored clock provide 3 wire circuit, code colored black, white, and red

Note: Specifications subject to change without notice.