

4

3

2

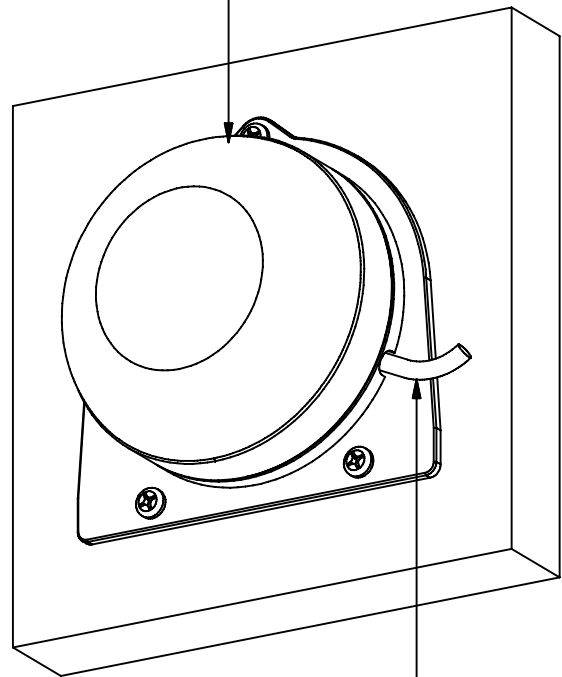
B

B

A

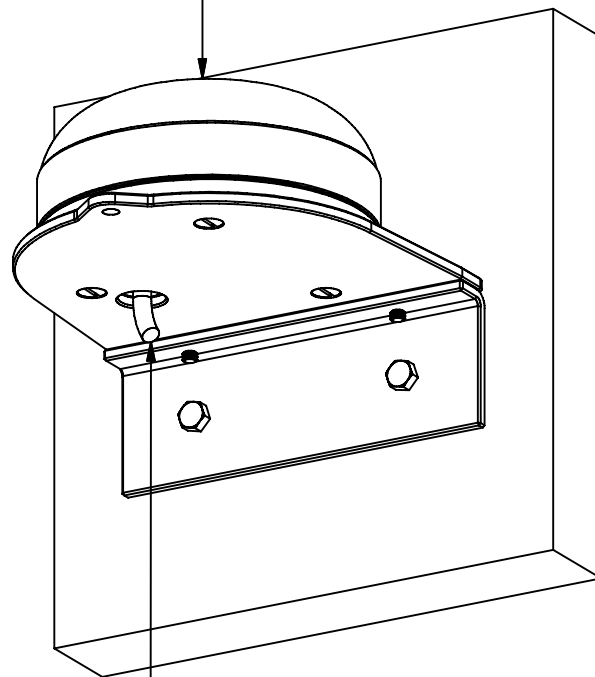
A

CTRL-GPS-RECV-17HVS



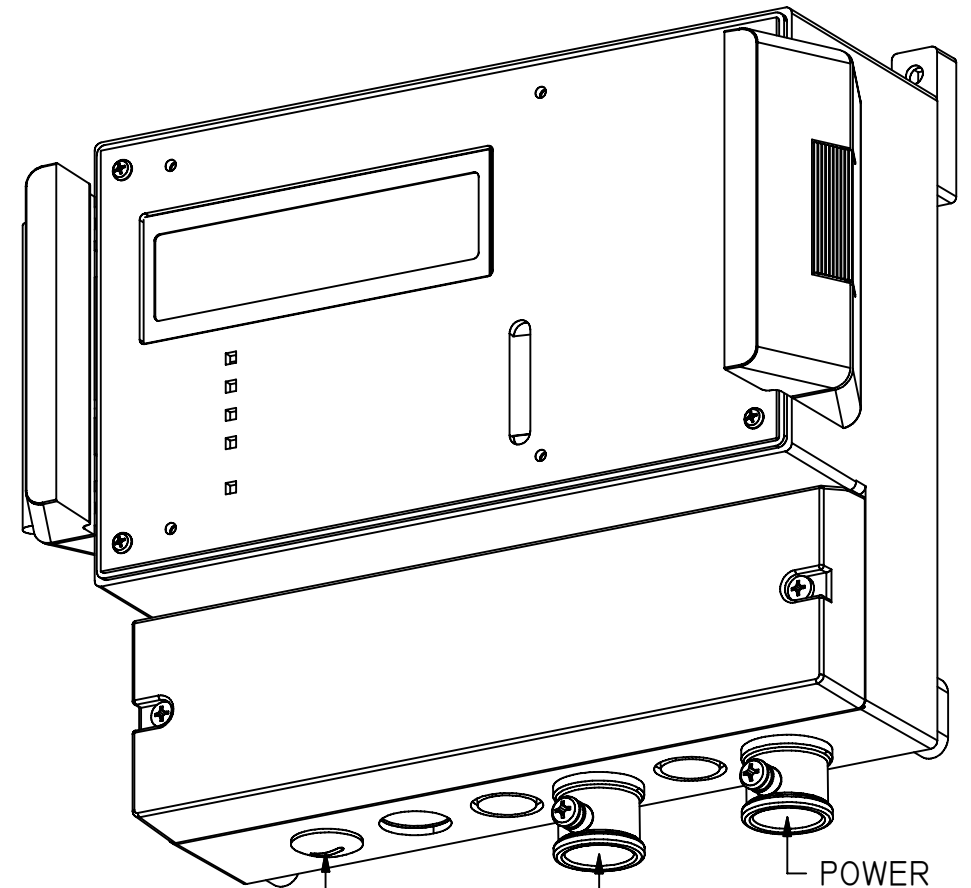
GPS CORD  
(TO 99BMI)

CTRL-GPS-RECV-17HVS



GPS CORD  
(TO 99BMI)

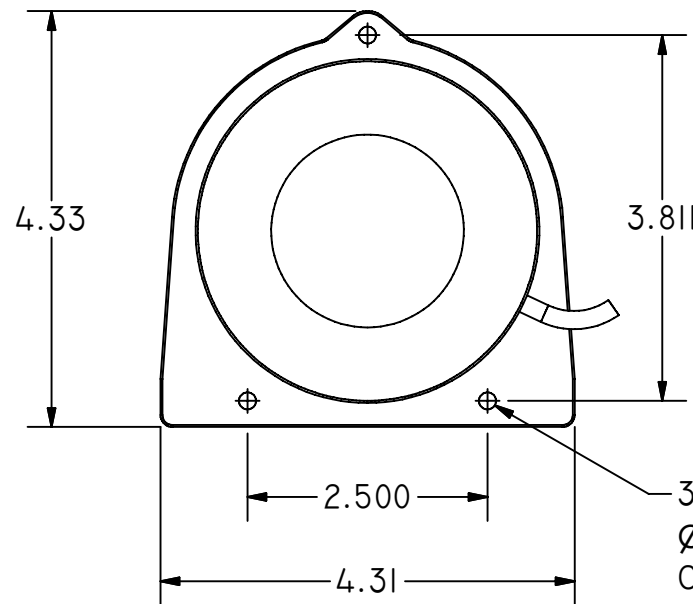
CONTROLLER-99BMI



POWER  
115V/60HZ

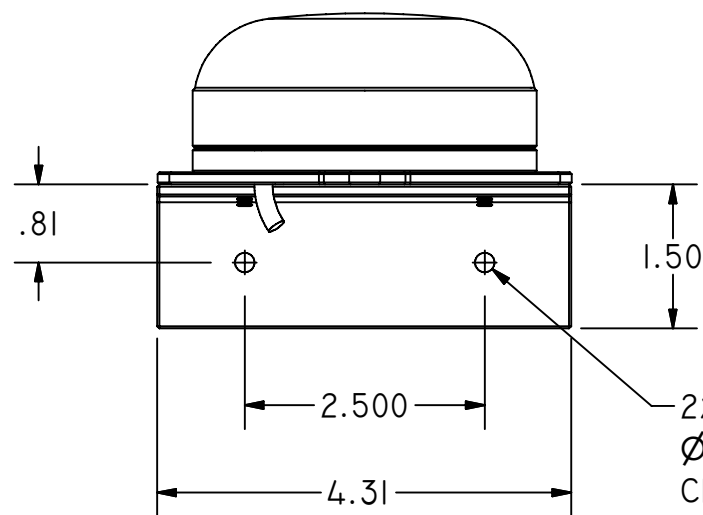
WIRES / CLOCK

CORD / GPS RECEIVER



FLUSH MOUNT

3x  
Ø.177 THRU  
CLEAR HOLE FOR  
#8 SCREW



ANGLE MOUNT

2x  
Ø.203 THRU  
CLEAR HOLE FOR  
#10 SCREW

NOTE:

CTRL-GPS-RECV-17GPS MUST BE MOUNTED WHERE IT IS EXPOSED TO ATMOSPHERE AND UNOBSTRUCTED SKIES.

DATE: 1/28/2006	<b>electric time</b> company, inc. medfield, ma		THIS DRAWING IN DESIGN AND DETAIL IS OUR PROPERTY AND MUST NOT BE USED EXCEPT IN CONNECTION WITH OUR WORK. ALL RIGHTS OF DESIGN OR INVENTION ARE RESERVED.
DRAWN BY: JCK	TITLE: CTRL-GPS-17HVS-MTG-OPTIONS		
CHECKED BY:	SUBJECT: CTRL-GPS-17HVS-KIT		
DWG SIZE: B	DWG NO: B-10668	SHEET: 1 OF 1	
PATH: C:\INVENTOR-TEMP\INVENTOR\DRAWINGS\B-10668.idw			

4

3

2

