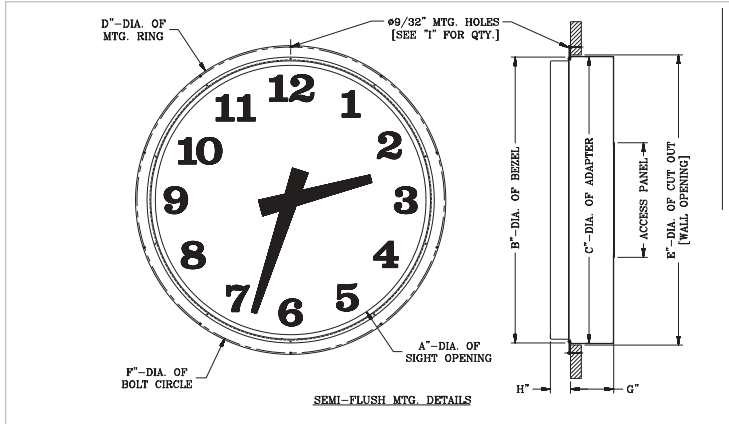


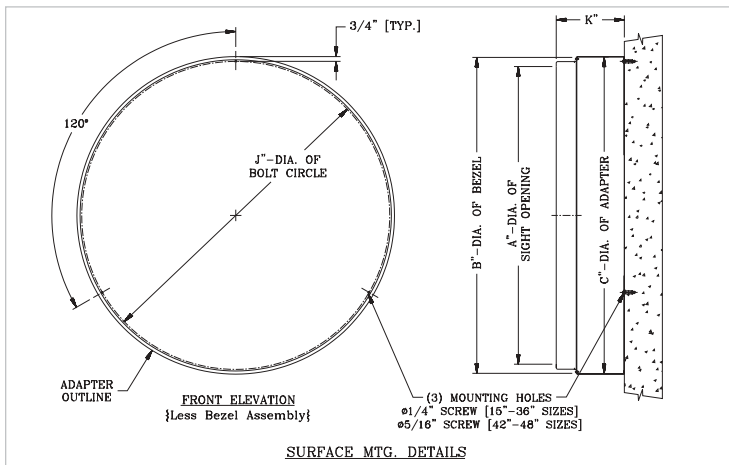
CANISTER CLOCKS

STYLE 3000/6000 BACKLIT CANISTER DESIGNS.

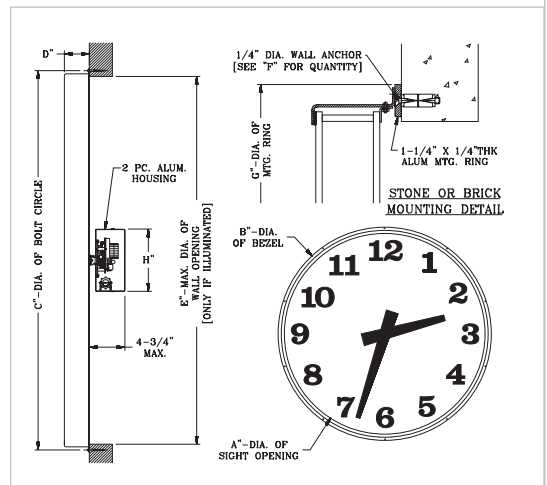
Style 6000 (round) & Style 3000 (square) are completely weather-tight units available in sizes from 15" to 96". Standard dials include Type "T" dial markings & Type "CS" hands. Also available are any dial markings and hands as shown on page 5, or those of your own design. White acrylic dial. Clear crystal on all sizes below 54". Aluminum bezel finished with a black exterior polyurethane finish. All clocks can be set by type 99B remote reset control.



6600/3600 (48" and smaller) with SF ring - Surface adapter - Semi-flush mounting-Fluorescent backlighting. Aluminum canister with semi-flush mounting ring. For installations where the rear of side of the clock will be exposed to the elements, or will be visible in a finished space.



6600/3600 (48" and smaller) - Surface adapter - Surface mounting-Fluorescent backlighting. For mounting to the surface of the wall where a recess in the wall cannot be provided.



Style#		Semi Flush with Surface Adapter Dimensions								Surface Mounting Dimensions		
Style#	Round	A" sight opening	B" bezel diameter	C" adapter diameter	D"	E"	F"	G"	H"	I"	J"	K"
3615	6615	15"	17 3/8"	17 3/8"	20 3/8"	18 1/8"	19 7/8"	6"	2 3/8"	4"	16 1/8"	8 1/8"
3624	6624	24"	26 3/8"	26 5/8"	30 3/8"	27 1/8"	29 7/8"	6"	2 3/8"	6"	25 1/8"	8 1/8"
3630	6630	30"	32 3/8"	32 5/8"	36 3/8"	33 1/8"	35 7/8"	6"	2 3/8"	6"	31 1/8"	8 3/8"
3636	6636	36"	38 3/8"	38 5/8"	42 3/8"	39 1/8"	41 7/8"	6"	3 1/2"	8"	37 1/8"	9 1/4"
3642	6642	41"	43 7/8"	44 1/8"	47 7/8"	44 5/8"	47 3/8"	6"	3 1/2"	10"	42 5/8"	9 1/4"
3648	6648	47"	49 7/8"	50 1/8"	53 7/8"	50 5/8"	53 3/8"	6"	3 1/2"	10"	48 5/8"	9 1/4"

Style#		Semi-Flush Non Illuminated Clocks							
Style#	Round	A"	B"	C"	D"	E"	F"	G"	H"
3515	6515	15"	17 3/8"	17"	2 1/8"	15 5/8"	3	17 3/8"	6 3/8"
3524	6524	24"	26 3/8"	26"	2 1/8"	24 5/8"	4	26 3/8"	6 3/8"
3530	6530	30"	32 3/8"	32"	2 3/8"	30 5/8"	4	32 3/8"	6 3/8"
3536	6536	36"	38 3/8"	38"	3 1/4"	36 5/8"	6	38 3/8"	8"
3542	6542	41"	43 7/8"	43 3/8"	3 1/4"	41 5/8"	6	44 1/8"	8"
3548	6548	47"	49 7/8"	49 3/8"	3 1/4"	47 5/8"	6	50 1/8"	8"